



aerospace
climate control
electromechanical
filtration
fluid & gas handling
hydraulics
pneumatics
process control
sealing & shielding



GWO Water/oil cooler

Lightweight, compact and efficient for industrial and marine applications



ENGINEERING YOUR SUCCESS.



The Olaer Group is part of Parker Hannifin since July 1st, 2012. With manufacturing and sales in 14 countries in North America, Asia and Europe, the Olaer Group expands Parker's presence in geographic growth areas and offers expertise in hydraulic accumulator and cooling systems for target growth markets such as oil and gas, power generation and renewable energy.

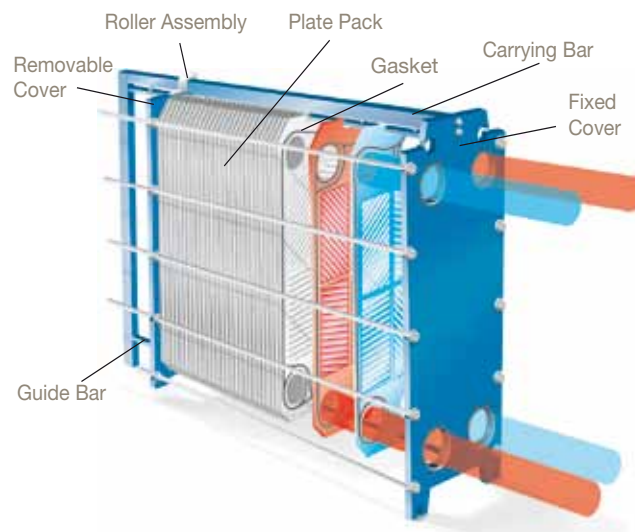
Gasketed water/oil coolers

The Parker GWO water/oil cooler is built on a modular concept designed to provide maximum efficiency in transferring heat from one liquid to another. Frames, plates and connections can be combined to form a number of different water/oil coolers.

By using different types of plates, with different characteristics, the water/oil coolers can be adapted to a wide variety of applications. The GWO cooler can easily be expanded or adapted by adding or replacing plates whenever conditions change.

GWO water/oil coolers in short:

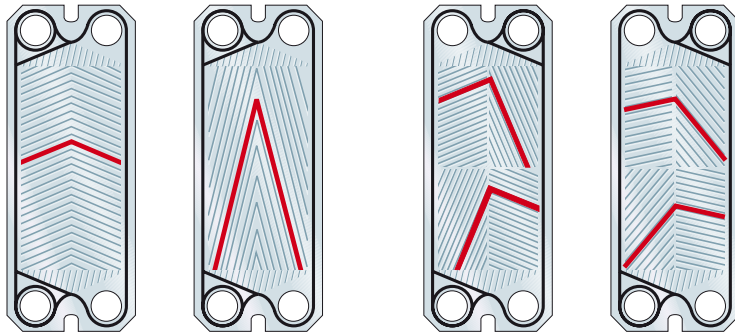
- Light and compact
- Suitable for many applications
- Easy installation
- Cost-efficient and environmentally friendly



Flow ranges:	0 – 4600 m ³ /h
Working pressure:	10 – 25 bar
Temperature range:	-30 °C – +180 °C
Connections:	DN25 – DN500 Welded neck, flange or threaded

Specifications may be changed without prior notice. Please contact Parker for specific details.



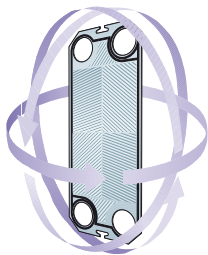


GC and GL Plates

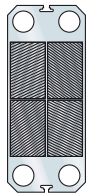
Symmetrical plates for regular use. Different plate patterns allow for optimisation of thermal transfer or pressure drop. An obtuse angle (high-theta plate) gives high resistance and an acute angle (low-theta plate) gives low pressure drop.

GX Ultraflex Plates

The plates are available with a herringbone pattern and either an acute or obtuse angle, making it possible to achieve six channel combinations.



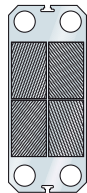
The Ultraflex design allows two plates to be turned and rotated, giving six combinations of high-, and low-theta plate pairs, matching the performance parameters of your application.



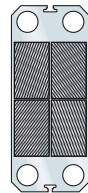
HS=
High-theta,
same direction



HD=
High-theta,
different
directions



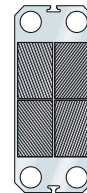
MS=
Medium-theta,
same direction



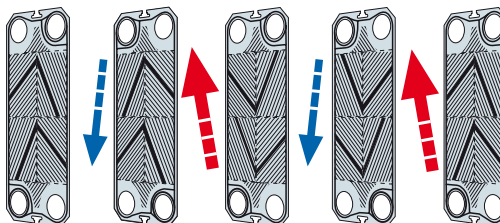
LS=
Low-theta,
same direction



LD=
Low-theta,
different
directions



MD=
Medium-theta,
different
directions



Ultraflex allows asymmetrical designs, with the primary and secondary circuits designed for heat transfer efficiency.



Gasket selection

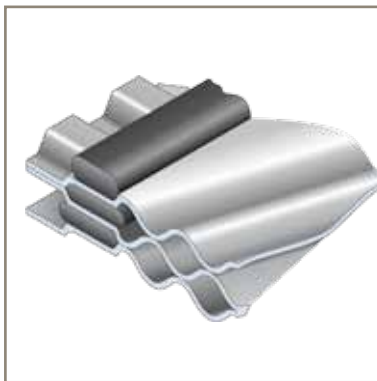
Glued Gaskets

Olaer plate gaskets are made from specially moulded elastomers to assure superior performance. Numerous gasket materials – NBR, FKM and others – are available to match your process conditions, up to operating temperatures of 180 °C.

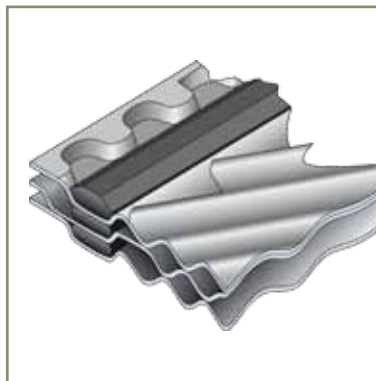
Clip-On Gaskets

Consider the Clip-On glueless gasket system wherever regular cleaning is necessary, or where aggressive fluids shorten gasket life. The unique design allows for easy and fast clip-on installation for secure sealing and simple removal.

The Clip-On is available in NBR. These precision gaskets are moulded under rigorous manufacturing controls and are peroxide-cured for long life and excellent compression set resistance.



Gaskets on GX Series plates are located in the neutral axis.



Gaskets on all other plates are located in tapered grooves.



Clip-On gaskets seat and lock-in without tools for trouble-free plate pack assembly and installation.

Keep control of your water/oil coolers

Efficient operation is the key to optimum return on investment. Malfunctions and changes in heat transfer can have severe consequences on operational costs and may affect product quality.

Dirt, scale and other deposits will reduce the efficiency of your GWO cooler. If contamination is ignored and persists, the plates can be damaged. This in turn could lead to leaks, faulty operation and reduced service life

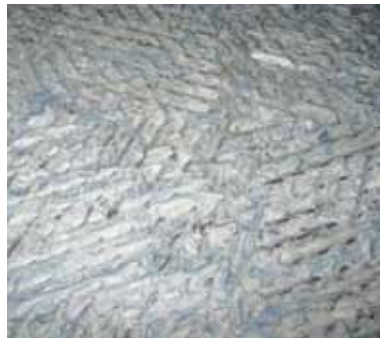
of the water/oil cooler. Clogged GWOs can cause damage to upstream and downstream equipment with expensive, unscheduled downtime for repairs.



Pollution increases the pressure drop and your energy costs. It can also damage the plates or the gaskets.



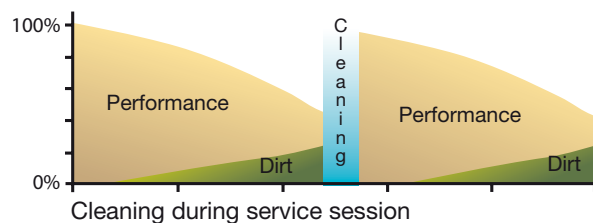
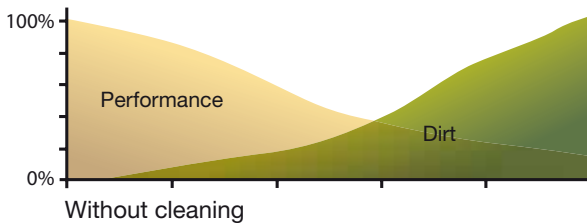
Crystallisation of fluids when they get in contact with oxygen can deform and damage the plates.



Limescale can block your water/oil cooler.



Performance curve depending on contamination level



Service and Maintenance

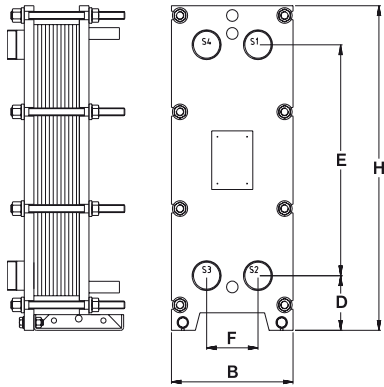
With regular servicing and maintenance you keep control of your cooler's condition and maintain optimum performance. With a service programme you get a grip on things before they become a problem. Every programme

is tailor-made to your specific requirements and can include anything from regular inspections to full annual overhauls. Before proposing a maintenance program, we inspect the plates, gaskets and connections to establish the condition and

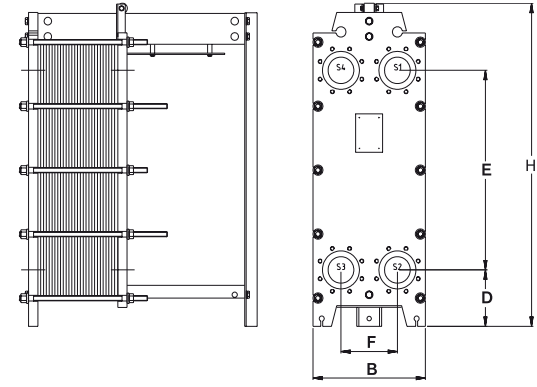
cooling capacity. With our authorized service, you are guaranteed to get the most suitable gaskets and plates complete with our Original Equipment Manufacture Guarantee.



Frame type NI and PI



Frame type N and P



GL-008
GX-007



GC-009
GD-009



GL-013
GC-016
GD-013



GX-026
GC-026
GD-026



GX-042
GC-044
GD-042



GX-051
GC-051
GC-054

Type	Connection DN	B mm	H mm	D mm	E mm	F mm
GX-007 PI GL-008 PI	25/32	180	774	72	640	60
GC-009 P , GC-009 PI GD-009 P, GD-009 PI	40	250	725	90	555	100
GL-013 P, GL-013 PI GL-013 N, GL-013 NI GD-013 P, GD-013 PI GC-016 P, GC-016 PI GC-016 N GL-016 PI GD-016 P, GD-016 PI	50/65	320	832	140	592	135
GX-026 N GC-026 N	100	450	1166	220	779	226
GX-026 P GC-026 P GD-026 P	100	450	1265	220	779	226
GX-042 N GC-044 N	100	450	1166	220	1189	226
GX-042 P GC-044 P GD-042 P	100	450	1675	220	1189	226
GX-051 N GC-051 N GC-054 N	150	585	1730	300	1143	300
GX-051 P GC-051 P GC-054 P	150	630	1730	300	1143	300

Key for gasketed water/oil coolers

EXAMPLE: GWO - GXD - 051 - H - 5 - P - 159 - 1.4401 - NBR (P)
 1 2 3 4 5 6 7 8 9

1. PLATE SYSTEM	
Ultraflex	= GX
Standard (neutral plane)	= GL
Standard (bottom plane)	= GC
Double wall	= GD

2. FLOW	
Diagonal flow	= D
Parallel flow	= P

3. COOLER SIZE	
(051 is approx. 0.51 m ²)	

4. CHANNEL TYPE	
High-theta plates	= H
Low-theta plates	= L
Mix of high- and low-theta plates	= M

5. PLATE THICKNESS	
0.4 mm	= 4
0.5 mm	= 5
0.6 mm	= 6
0.7 mm	= 7

6. TYPE OF FRAME	
10 bar	= N
16 bar	= P
25 bar	= S

7. NUMBER OF PLATES	
Plate package consists of 159 plates	= 159

8. PLATE MATERIAL	
Stainless steel (AISI304 / SS2333)	= 1.4301
Acid proof steel (AISI316 / SS2347)	= 1.4401
254SMO	= 1.4547
Titanium Gr. 1	= 3.7025

9. GASKET MATERIAL	
NBR (P)	
FKM	

- Plate materials:**
- AISI 304 / EN 1.4301
 - AISI 316 / EN 1.4401
 - Titanium Grade 1
 - 254 SMO

- Gaskets:**
- Nitrile
 - FKM

- Max. working pressure:**
- NI/N 10 bar
 - PI/P 16 bar
 - S 25 bar

- Max working temp:**
- Nitrile 140 °C
 - FKM 180 °C

Approvals:
 PED 97/23/EC

For other materials, please contact your Parker representative.



Parker Worldwide

Europe, Middle East, Africa

AE – United Arab Emirates, Dubai

Tel: +971 4 8127100
parker.me@parker.com

AT – Austria, Wiener Neustadt
Tel: +43 (0)2622 23501-0
parker.austria@parker.com

AT – Eastern Europe, Wiener Neustadt
Tel: +43 (0)2622 23501 900
parker.easteurope@parker.com

AZ – Azerbaijan, Baku
Tel: +994 50 22 33 458
parker.azerbaijan@parker.com

BE/LU – Belgium, Nivelles
Tel: +32 (0)67 280 900
parker.belgium@parker.com

BG – Bulgaria, Sofia
Tel: +359 2 980 1344
parker.bulgaria@parker.com

BY – Belarus, Minsk
Tel: +375 17 209 9399
parker.belarus@parker.com

CH – Switzerland, Etoy
Tel: +41 (0)21 821 87 00
parker.switzerland@parker.com

CZ – Czech Republic, Klecany
Tel: +420 284 083 111
parker.czechrepublic@parker.com

DE – Germany, Kaarst
Tel: +49 (0)2131 4016 0
parker.germany@parker.com

DK – Denmark, Ballerup
Tel: +45 43 56 04 00
parker.denmark@parker.com

ES – Spain, Madrid
Tel: +34 902 330 001
parker.spain@parker.com

FI – Finland, Vantaa
Tel: +358 (0)20 753 2500
parker.finland@parker.com

FR – France, Contamine s/Arve
Tel: +33 (0)4 50 25 80 25
parker.france@parker.com

GR – Greece, Athens
Tel: +30 210 933 6450
parker.greece@parker.com

HU – Hungary, Budaörs
Tel: +36 23 885 470
parker.hungary@parker.com

IE – Ireland, Dublin
Tel: +353 (0)1 466 6370
parker.ireland@parker.com

IT – Italy, Corsico (MI)
Tel: +39 02 45 19 21
parker.italy@parker.com

KZ – Kazakhstan, Almaty
Tel: +7 7273 561 000
parker.easteurope@parker.com

NL – The Netherlands, Oldenzaal
Tel: +31 (0)541 585 000
parker.nl@parker.com

NO – Norway, Asker
Tel: +47 66 75 34 00
parker.norway@parker.com

PL – Poland, Warsaw
Tel: +48 (0)22 573 24 00
parker.poland@parker.com

PT – Portugal, Leca da Palmeira
Tel: +351 22 999 7360
parker.portugal@parker.com

RO – Romania, Bucharest
Tel: +40 21 252 1382
parker.romania@parker.com

RU – Russia, Moscow
Tel: +7 495 645-2156
parker.russia@parker.com

SE – Sweden, Spånga
Tel: +46 (0)8 59 79 50 00
parker.sweden@parker.com

SK – Slovakia, Banská Bystrica
Tel: +421 484 162 252
parker.slovakia@parker.com

SL – Slovenia, Novo Mesto
Tel: +386 7 337 6650
parker.slovenia@parker.com

TR – Turkey, Istanbul
Tel: +90 216 4997081
parker.turkey@parker.com

UA – Ukraine, Kiev
Tel: +380 44 494 2731
parker.ukraine@parker.com

UK – United Kingdom, Warwick
Tel: +44 (0)1926 317 878
parker.uk@parker.com

ZA – South Africa, Kempton Park
Tel: +27 (0)11 961 0700
parker.southafrica@parker.com

North America

CA – Canada, Milton, Ontario
Tel: +1 905 693 3000

US – USA, Cleveland (industrial)
Tel: +1 216 896 3000

US – USA, Elk Grove Village (mobile)
Tel: +1 847 258 6200

Asia Pacific

AU – Australia, Castle Hill
Tel: +61 (0)2-9634 7777

CN – China, Shanghai
Tel: +86 21 2899 5000

HK – Hong Kong
Tel: +852 2428 8008

IN – India, Mumbai
Tel: +91 22 6513 7081-85

JP – Japan, Fujisawa
Tel: +81 (0)4 6635 3050

KR – South Korea, Seoul
Tel: +82 2 559 0400

MY – Malaysia, Shah Alam
Tel: +60 3 7849 0800

NZ – New Zealand, Mt Wellington
Tel: +64 9 574 1744

SG – Singapore
Tel: +65 6887 6300

TH – Thailand, Bangkok
Tel: +662 717 8140

TW – Taiwan, New Taipei City
Tel: +886 2 2298 8987

South America

AR – Argentina, Buenos Aires
Tel: +54 3327 44 4129

BR – Brazil, Cachoeirinha RS
Tel: +55 51 3470 9144

CL – Chile, Santiago
Tel: +56 2 623 1216

MX – Mexico, Apodaca
Tel: +52 81 8156 6000

EMEA Product Information Centre

Free phone: 00 800 27 27 5374

(from AT, BE, CH, CZ, DE, DK, EE, ES, FI, FR, IE, IL, IS, IT, LU, MT, NL, NO, PL, PT, RU, SE, SK, UK, ZA)

US Product Information Centre

Toll-free number: 1-800-27 27 537

www.parker.com

